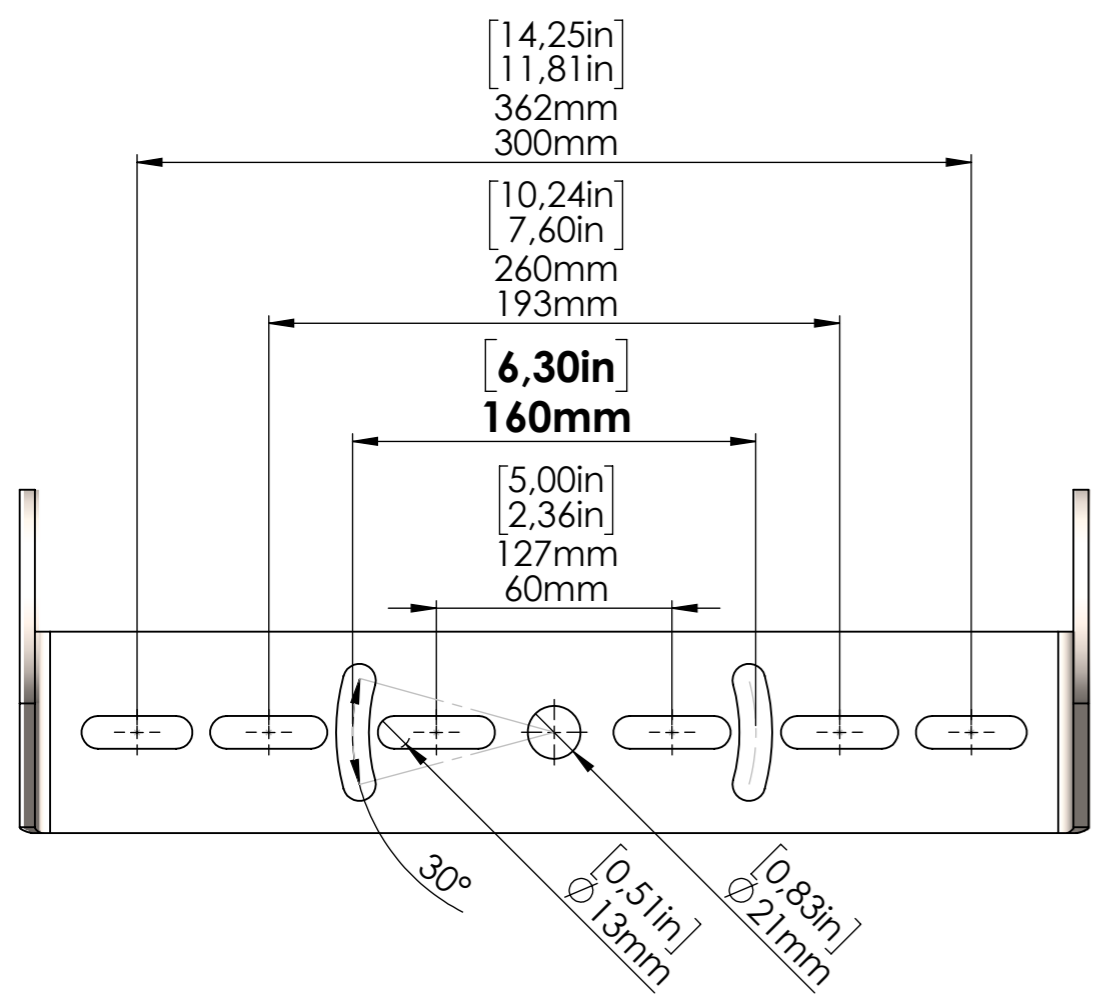
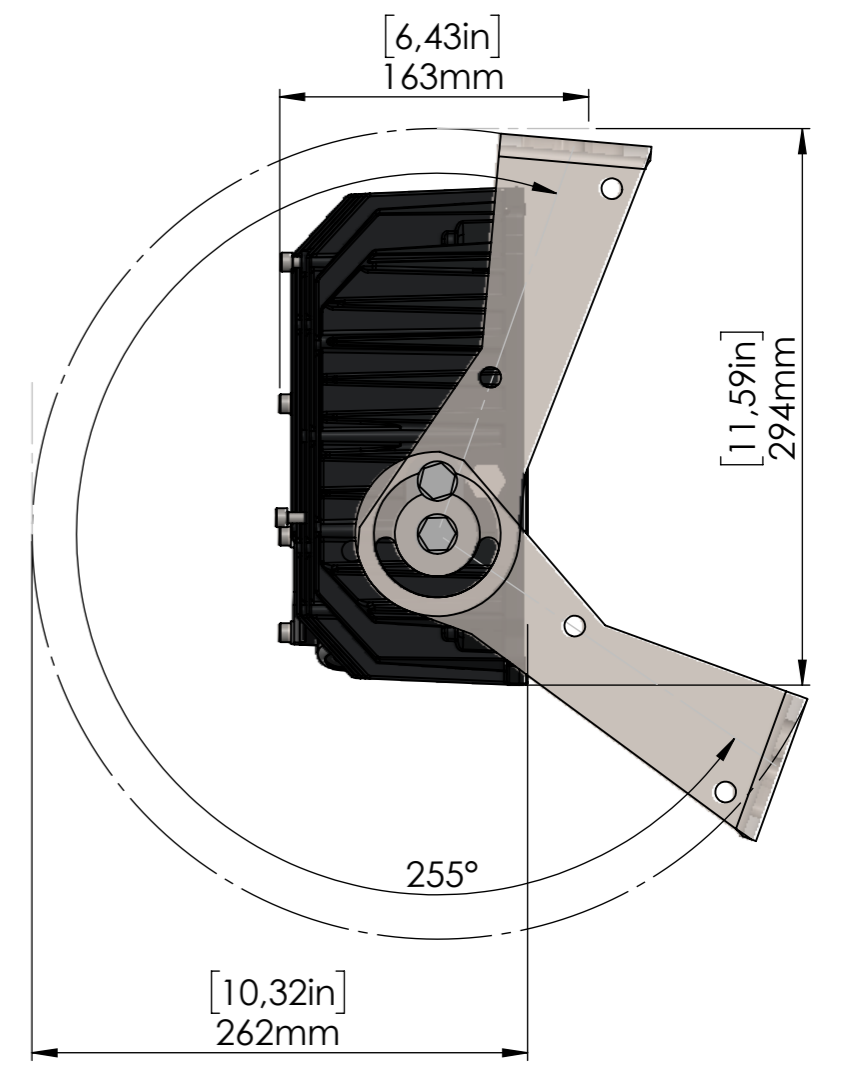
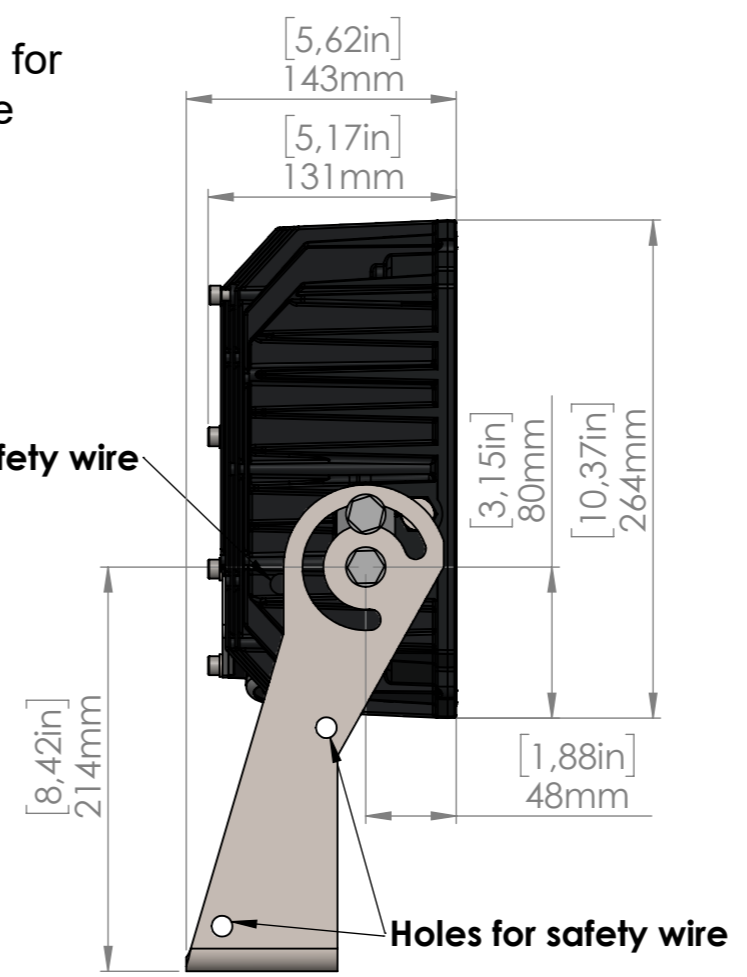


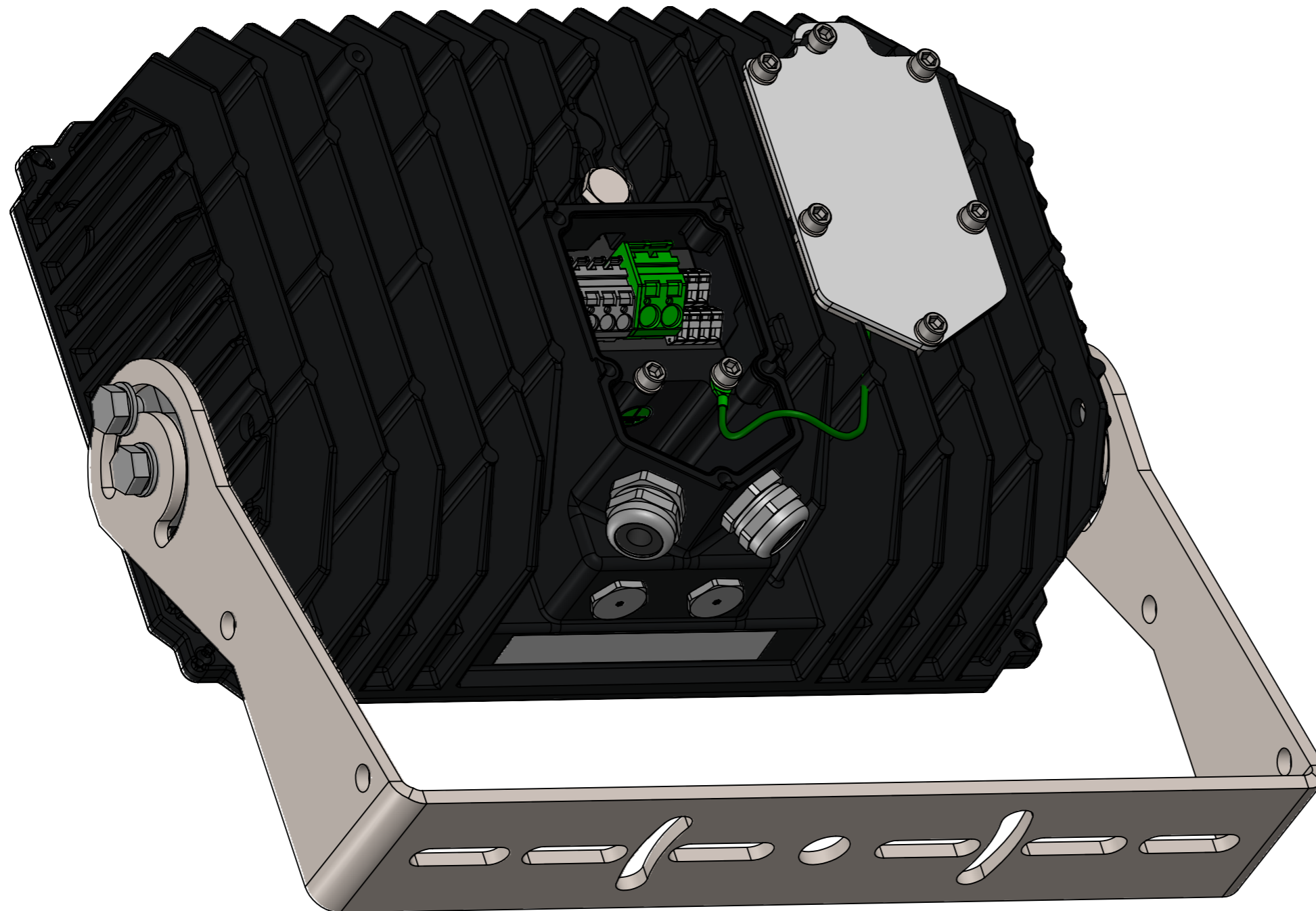
4x Ø6 are **NOT** for safety wire. Use only specified holes.



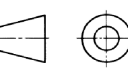
Holes for safety wire



Offset mounting positions:
 With two M12 bolts the pattern fits **60-362mm** holes with full +/-15° adjustment at 160mm.

	NAME	DATE	Luminell AS Myrabakken Næringscenter Bygg 2 6010 Aalesund NORWAY (+47)70101070	
DRAWN	CLV	27/06/2018		
CHK'D				
DWG NO. and ver. L0417 RLX Dx General Dimensions v1.3			Unless otherwise is specified: Read journal for updates. Deburr and break sharp edges. Dimmensions are in millimeters.	
TOLERANCES: ISO 2768-m			First angle projection	
DO NOT SCALE DRAWING			SHEET 1 OF 4 A3	

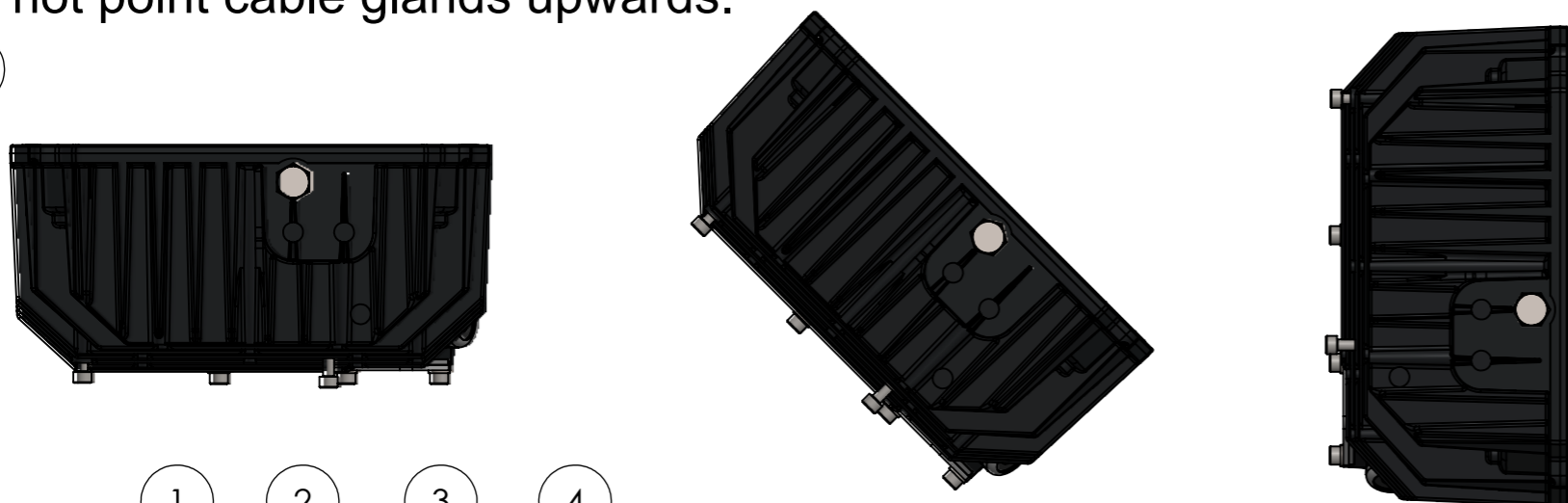


	NAME	DATE	Luminell AS Myrabakken Næringscenter Bygg 2 6010 Aalesund NORWAY (+47)70101070	
DRAWN	CLV	27/06/2018		
CHK'D				
			DWG NO. and ver. L0417 RLX Dx General Dimensions v1.3	
			<small>Unless otherwise is specified: Read journal for updates. Deburr and break sharp edges. Dimensions are in millimeters.</small>	 
			TOLERANCES: ISO 2768-m	First angle projection
			DO NOT SCALE DRAWING	SHEET 2 OF 4
				A3

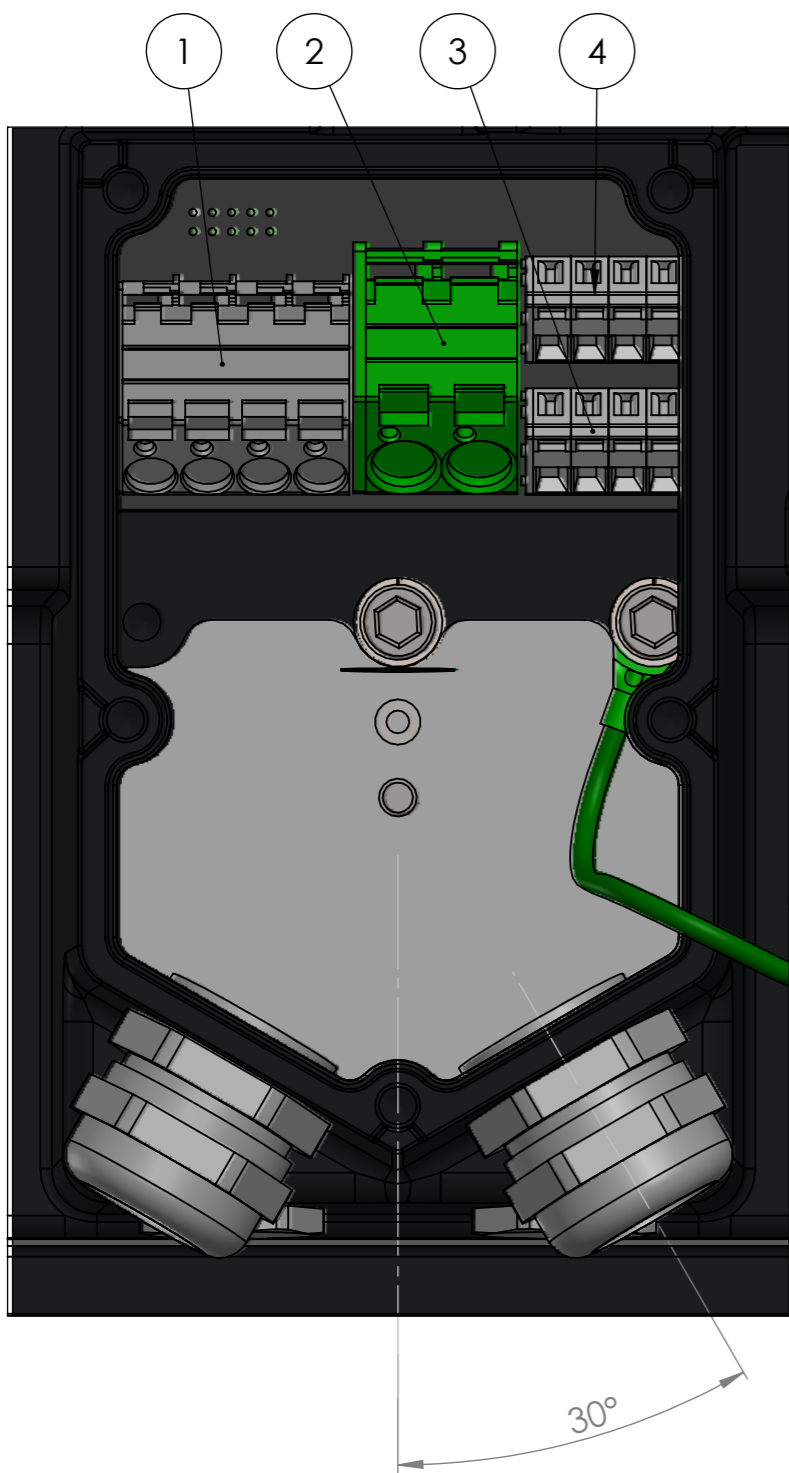
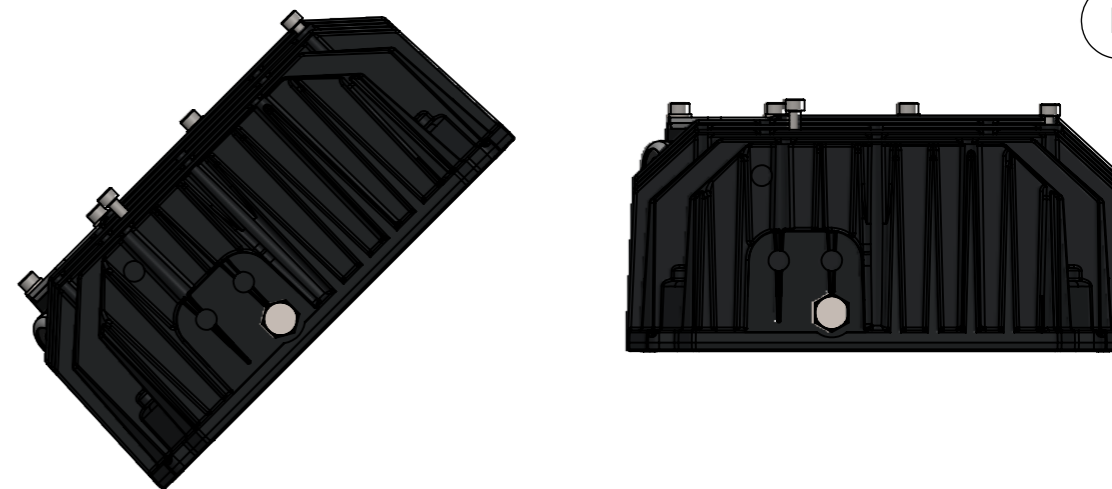
Permissible installation positions

Mount in any angle between A and B
Do not point cable glands upwards.

A



B



Terminals

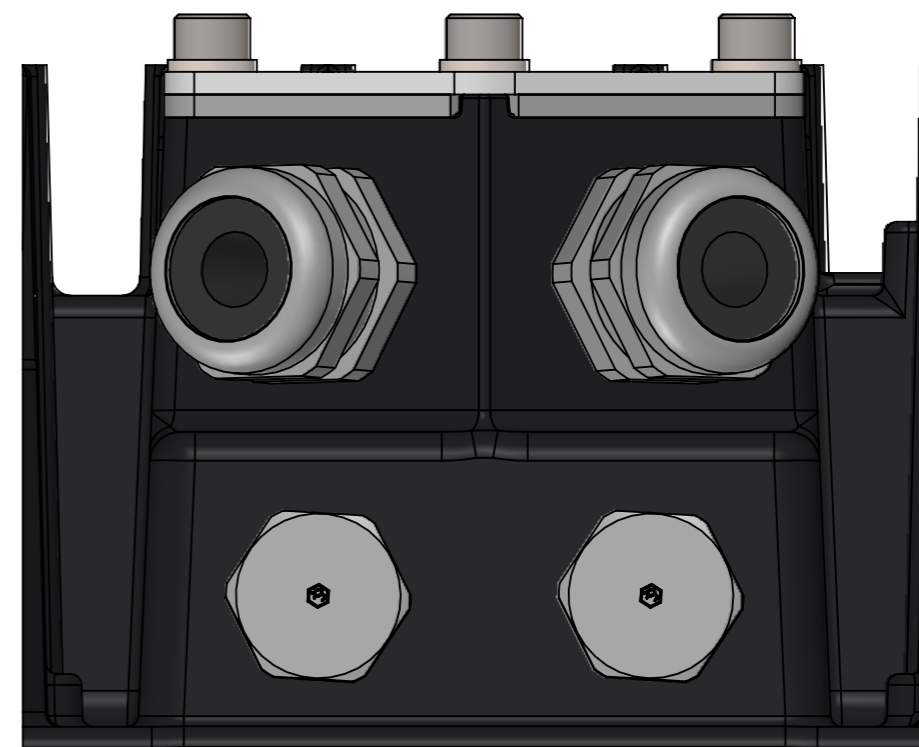
- 1 Mains
 - 2 Ground
 - 3 Dimming
 - 4 Battery
- Safety sling for back cover.

Cable glands

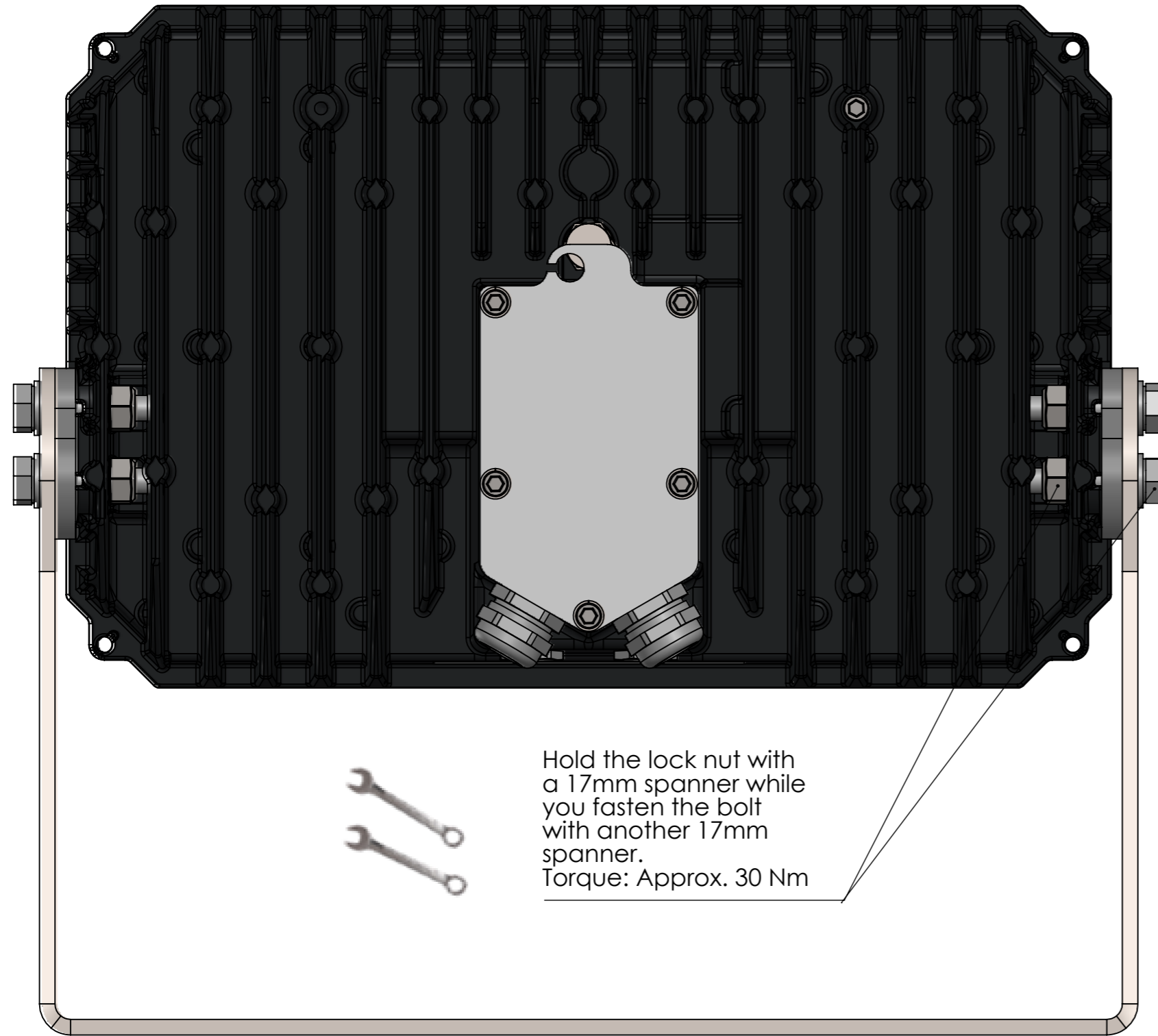
- 2x M25 Through glands 10-18mm
- 2x M20 Blind caps

Other cable glands and blind caps on request.

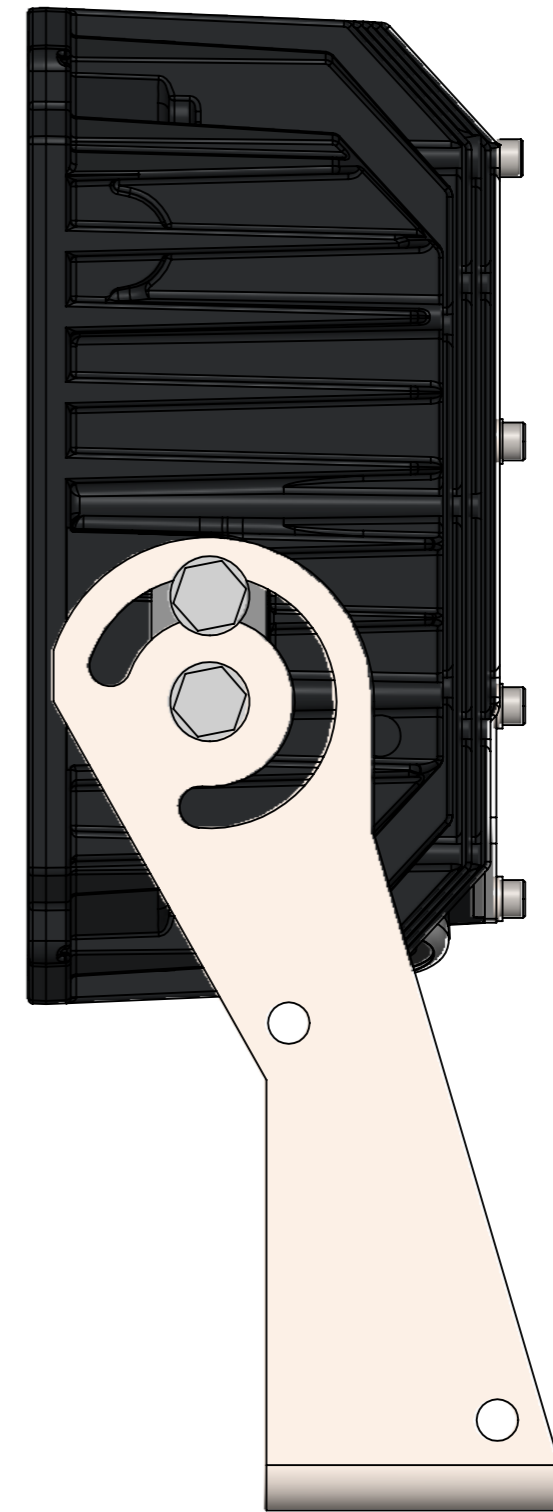
Angled to reduce cable bend.


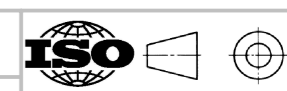


	NAME	DATE	Luminell AS Myrabakken Næringscenter Bygg 2 6010 Aalesund NORWAY (+47)70101070	
DRAWN	CLV	27/06/2018		
CHK'D				
			DWG NO. and ver. L0417 RLX Dx General Dimensions v1.3	 First angle projection
			TOLERANCES: ISO 2768-m	
			DO NOT SCALE DRAWING	SHEET 3 OF 4 A3



Hold the lock nut with a 17mm spanner while you fasten the bolt with another 17mm spanner.
Torque: Approx. 30 Nm



	NAME	DATE	Luminell AS Myrabakken Næringscenter Bygg 2 6010 Aalesund NORWAY (+47)70101070	
DRAWN	CLV	27/06/2018		
CHK'D				
MATERIAL: Material <not specified>			DWG NO. and ver. L0417 RLX Dx General Dimensions v1.3	
WEIGHT: 16523.77			<small>Unless otherwise is specified: Read journal for updates. Deburr and break sharp edges. Dimmensions are in millimeters.</small>	
FINISH:			TOLERANCES: ISO 2768-m	 First angle projection
SCALE:1:2		DO NOT SCALE DRAWING	SHEET 4 OF 4	A3