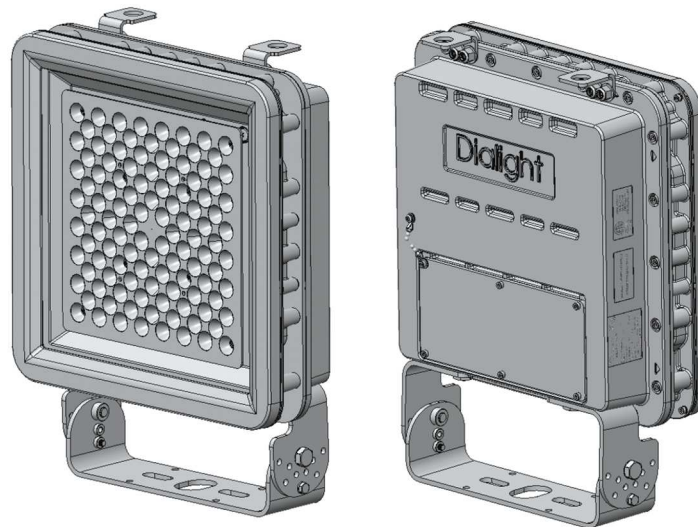


## FLOODLIGHT - "FL" SERIES INSTALLATION INSTRUCTIONS

100-277 VAC SINGLE PHASE



**IMPORTANT:** Please read carefully before installation and retain for future reference

- To prevent possible shock hazard, the fixture should be installed by a qualified licensed electrician
- All electrical connections must be in accordance with local codes, ordinances and National Electrical Code.
- The use of safety protection such as safety eye glasses and protective gloves are recommended
- Proper grounding of the light fixture is essential for protection from shock, correct operation and the elimination of electrical interference.
- **WARNING: DO NOT ACCESS JUNCTION AREA WHEN ENERGIZED**
- DO NOT mount near gas or electric heaters
- Light fixture should be mounted in locations and at heights where it will not be subjected to tampering by unauthorized personnel
- DO NOT use this light fixture for other than intended use.
- Technical data indicated on the light fixture are to be observed
- Changes or modifications to the light fixture are not permitted
- Repairs must only be carried out by a qualified electrician
- Only genuine Dialight replacement parts must be used when unforeseen repairs are required
- DO NOT keep these operating instructions inside the light fixture.
- Wait 10 minutes before opening after de-energizing the light fixture.

**SAVE THESE INSTRUCTIONS!!**



**DANGER:** RISK OF ELECTRICAL SHOCK. TURN OFF MAIN POWER SOURCE BEFORE SERVICE

Always transport and store the equipment in its original packaging and keep in a dry location.  
When unpacking check for any cracks or damage to casting and glass lens, if in doubt do not install!  
Contact your local Dialight sales representative or visit us at [www.dialight.com](http://www.dialight.com) for contact information

# FLOODLIGHT - "FL" SERIES INSTALLATION INSTRUCTIONS

100-277 VAC SINGLE PHASE

**IMPORTANT:** Make sure application surface can handle weight of light fixture

\* Dialight is not responsible for damage to application surface or fixture, if mounted onto a surface that can not handle weight of fixture

**INSTALLATION STEPS:**

1. Secure the mounting bracket onto application surface by means of hole pattern on mounting bracket [Fig.1a]  
Feed source wire through center oval opening of mounting bracket [Fig.1b]

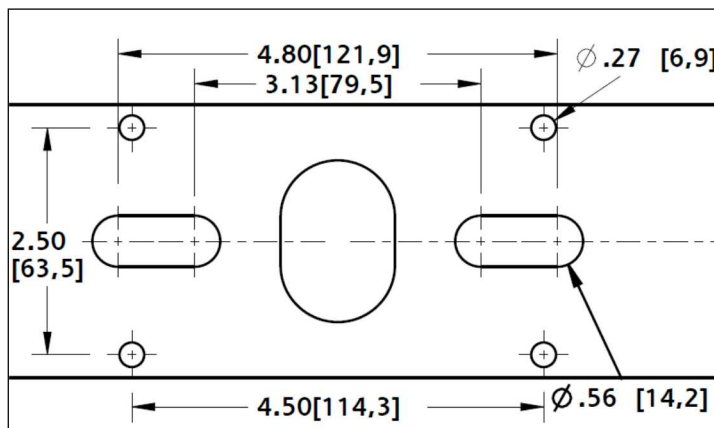


Fig.1a

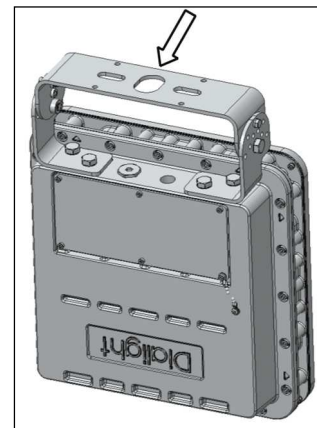


Fig.1b

**[ LIGHT FIXTURE AIMING REQUIRED ]**

2. Loosen center pivoting M10 hex bolt [**do not remove**] on both sides of light fixture [Fig.2]
3. Remove the angle locking M6 bolts on both sides [Fig.3]
4. Aim light fixture to desired angle [Fig.4]
5. Re-install angle locking M6 hex bolts on both sides [Fig.3] ..... suggested torque = 5 ft.lb. [6.8 Nm]
6. Tighten the center pivoting M10 hex bolts on both sides [Fig.2] ..... suggested torque = 25 ft.lb [33.9 Nm]

**[ NO LIGHT FIXTURE AIMING REQUIRED ]**

2. Secure angle locking M6 hex bolts on both sides [Fig.3] ..... suggested torque = 5 ft.lb. [6.8 Nm]
3. Tighten the center pivoting M10 hex bolts on both sides [Fig.2] ..... suggested torque = 25 ft.lb [33.9 Nm]

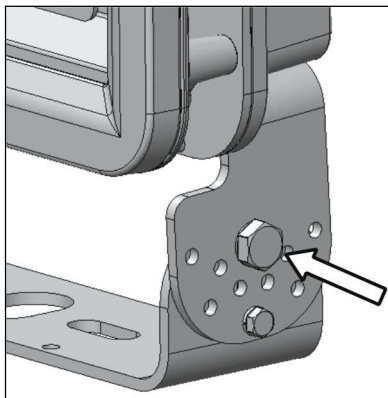


Fig.2

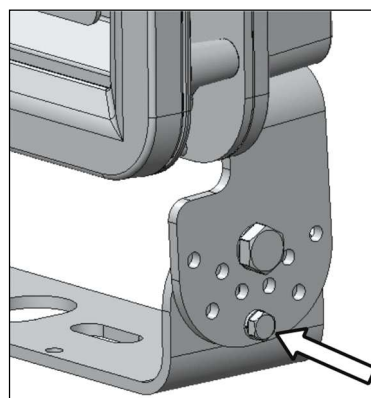


Fig.3

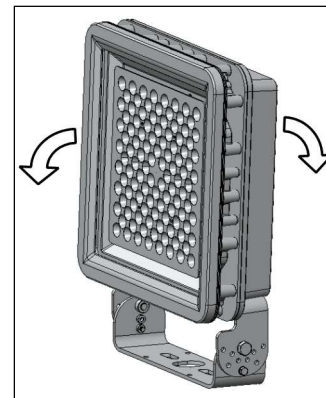


Fig.4

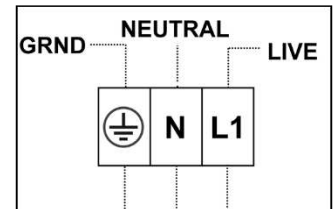


## FLOODLIGHT - "FL" SERIES INSTALLATION INSTRUCTIONS 100-277 VAC SINGLE PHASE

**⚠ WARNING:** To retain seal integrity (and preserve warranty) do not loosen or remove any of the bolts around the perimeter of the light fixture. There are no serviceable components in the light fixture. Removal or loosening of any of these bolts will void all warranties.

**WIRING STEPS:**

1. Once the light fixture has been mounted in place, remove access cover [Fig.5]
2. Install a cord grip to suit the gauge source wiring being used [Fig.6]
  - a. cord grip not supplied with light fixture \*
  - b. install as per cord grip manufacturer recommendation
3. Feed source wire through installed cord grip into light fixture junction area
  - a. optional: slip source wire through cable holder provided to secure during installation
4. Connect source wires to terminal block [Fig.7] as described:
  - a. strip SOURCE wires = .39"-.43" [10-11 mm] \_\_\_ 12-20 AWG [4.0-0.5 mm<sup>2</sup>]
  - b. connect SOURCE **GROUND** wire to terminal block position marked with **GROUND SYMBOL**
  - c. connect SOURCE **NEUTRAL** wire to terminal block position marked with **"N"**
  - d. connect SOURCE **LIVE** wire to terminal block position marked with **"L1"**
    - \_ to connect source wires, press down on the tabs on top of the terminal block [with tool] and hold
    - \_ insert stripped source wire \_ release tab \_ the terminal should now have engaged the inserted wire
    - \_ lightly tug on the inserted wire to ensure engagement has occurred
  - if using 208VAC [two 120VAC phases] \_ connect the phase 1 wire to "L1" input and the phase 2 wire to "N" input
  - since only the "L1" input is internally fused, an external fuse may be connected to the "N" input if required.
5. Once source wires are secured and connected, restore proper power to light fixture and check for illumination



**⚠ CAUTION:** Do not look directly into light fixture once powered and lit. Use protective shaded eye wear when viewing

4. Replace access cover [Fig.5] ..... recommended torque \_ 13 in.lb [1.5 Nm]

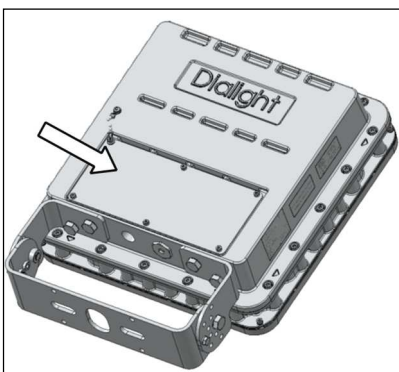


Fig.5

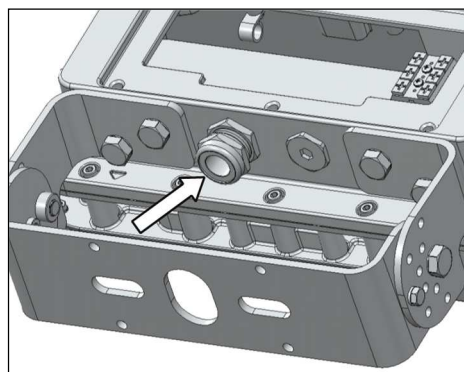


Fig.6

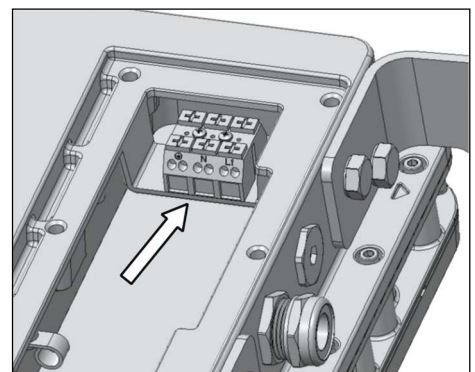


Fig.7

\* Dialight is not responsible for selection of cord grip used on the installed light fixture  
- Dialight only suggests that the cord grip selected to be used on the installed light fixture conforms to agency specifications required

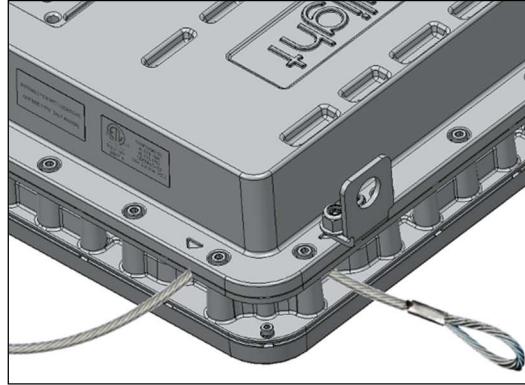


## FLOODLIGHT - "FL" SERIES INSTALLATION INSTRUCTIONS

100-277 VAC SINGLE PHASE

### **SAFETY RETENTION** [optional]

Safety retention method can be added [safety cable/chain/etc]  
Feed device through the top corner openings designed into the light fixture  
These openings are indicated by the arrows



### **SECONDARY SAFETY RETENTION** [optional]

Secondary safety retention method can be added [safety cable/chain/etc]  
Feed device through the top brackets openings designed onto the light fixture

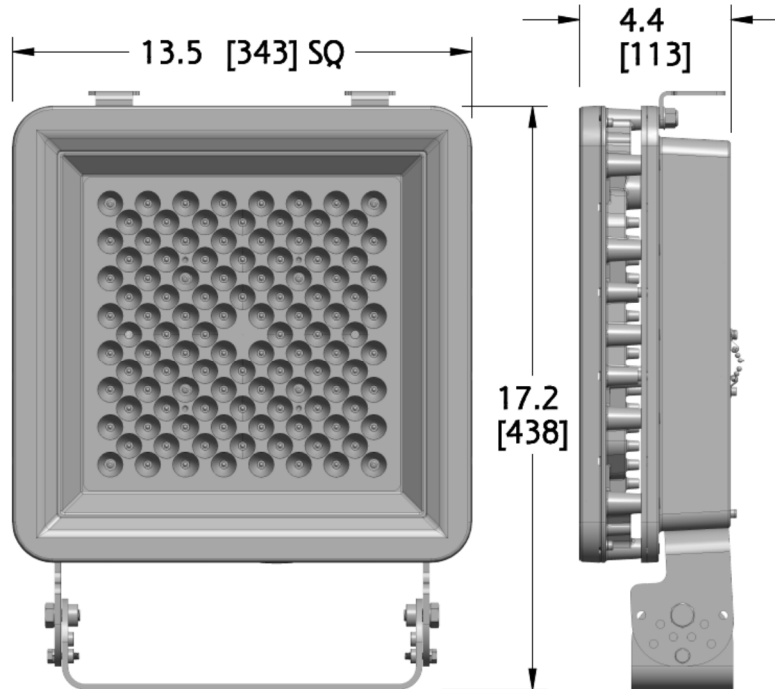


## FLOODLIGHT - "FL" SERIES INSTALLATION INSTRUCTIONS

100-277 VAC SINGLE PHASE

### Mechanical Information

#### Dimensions



#### Weight [Single Light Fixture]

27 lbs [ 12.3 kg ] \_ "FLx2" Series  
30 lbs [ 13.6 kg ] \_ "FLx4" Series

#### "FLD" SafeSite® Series

- |                              |   |  |
|------------------------------|---|--|
| • UL 844                     | • UL 1598/A   | • CSA 22.2 NO. 137 • IP 66/67                          |
| • NEMA 4X                    | • CID2 A,B,C,D  | • CIID1 E,F,G  |
| • CII21 E,F,G                | • CIID1   | • CIID2  |
| • Suitable for Wet Locations | • Temperature Rating = T5 @ 65°C ["FLx2" Series only] | • Temperature Rating = T4A @ 65°C ["FLx4" Series only] |

#### "FLE" DuroSite® Series

- |             |                |                              |
|-------------|----------------|------------------------------|
| • UL 1598/A | • C22.2 No.250 | • CE                         |
| • IP 66/67  | • NEMA 4X      | • Suitable for Wet Locations |

#### "FLW" DuroSite® Series

- |                              |                |            |
|------------------------------|----------------|------------|
| • UL 1598/A                  | • C22.2 No.250 | • IP 66/67 |
| • Suitable for Wet Locations |                |            |

